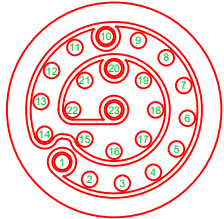


DRAWING NOT TO SCALE

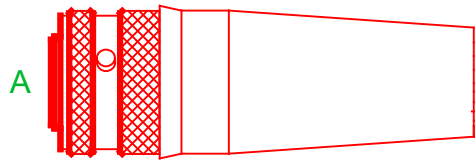
1.2m +/- 20mm



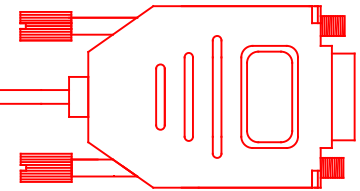
DEUTSCH ASDD610-23PN (ITEM 1)
WIRE ENTRY VIEW

SEE
CONNECTOR A
DETAIL FOR
LABEL POSITION

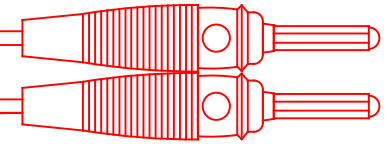
RLCAB128



SPEED SENSOR
CONNECTOR



B

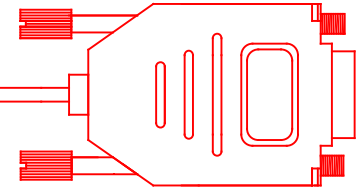


C

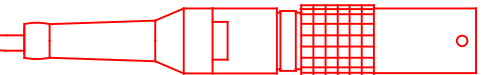
D



E



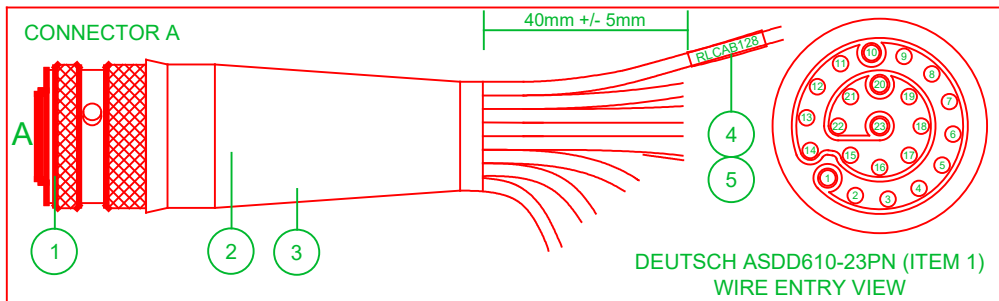
F



G

NOTE:
LEAD SHOULD BE INDIVIDUALLY PACKED IN APPROPRIATELY SIZED PLASTIC BAG TO PREVENT DAMAGE
AND TANGLING DURING SHIPPING

| | | | | | |
|----------------|--|----------|----------|---------|-----|
| DRAWING NUMBER | RLCAB128 | DRAWN | S.HOOPER | SHEET | 1/4 |
| DESCRIPTION | SPEED SENSOR WITH IMU - SPEED ONLY CABLE | | | | |
| REVISION | | | | | |
| ISS | DESCRIPTION | DATE | APPROVED | REDMINE | |
| 5 | BOM CORRECTION | 06/01/20 | GC | 14508 | |

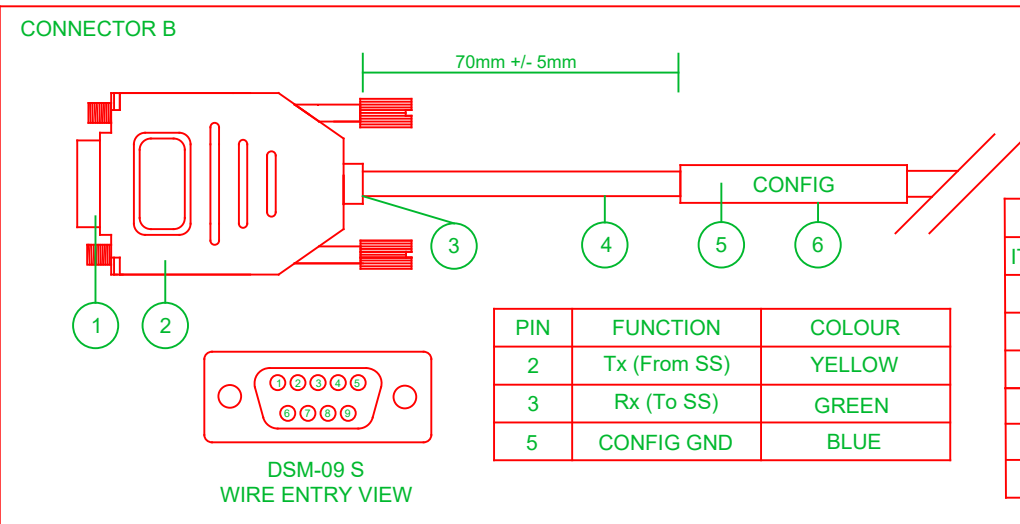


- CRIMP SETTING ON DEUTSCH TOOL NEEDS TO BE SET TO SIZE AWG 26 WIRE
- TIGHTLY WRAP KAPTON TAPE AROUND WIRES TO HOLD SECURE AND PROTECT FROM HEAT.
- FIT CONTACTS IN ALL DEUTSCH CONNECTOR (ITEM 1) POSITIONS EVEN WHEN CONTACT IS NOT WIRED.
- DO NOT WRAP KAPTON OVER BACK OF CONNECTOR AS THIS WILL PREVENT BOOT FROM GRIPPING THE CONNECTOR, SEE PHOTO.
- ONCE CONNECTOR PINS ARE POPULATED, TEST CABLE BEFORE SHRINKING ADHESIVE LINED BOOT.
- POT CONNECTOR BOOT (ITEM 3) WITH POTTING COMPOUND ENSURING THAT NO POTTING COMPOUND RUNS DOWN THE OUTSIDE OF THE CONNECTOR BOOT (ITEM 3).



BILL OF MATERIALS

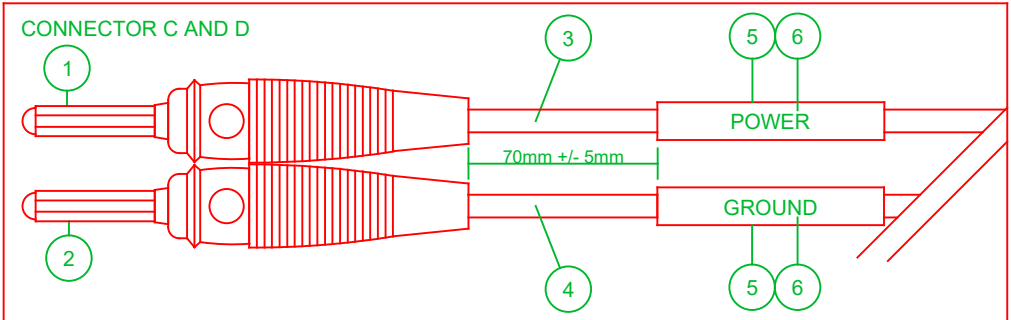
| ITEM | QTY | SUPPLIER | PART NUMBER | DESCRIPTION |
|------|-----|----------|--------------|---------------------------------|
| 1 | 1 | SERVO | ASDD610-23PN | DEUTSCH AUTOSPORT CONNECTOR |
| 2 | 1 | RS | 436-2762 | KAPTON TAPE |
| 3 | 1 | FARNELL | 189-1547 | ADHESIVE-LINED STRAIN BOOT |
| 4 | 1 | AVERY | J8658-25 | 25.4 x 10mm LABEL + CABLE IDENT |
| 5 | 1 | FARNELL | 304-6539 | HEATSHRINK CLEAR 6mm 3:1 |



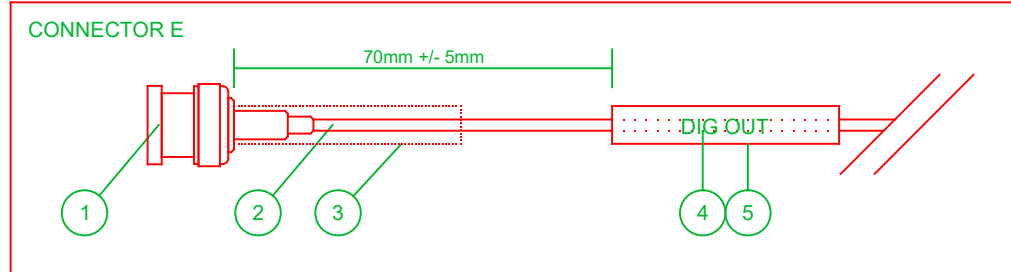
BILL OF MATERIALS

| ITEM | QTY | SUPPLIER | PART NUMBER | DESCRIPTION |
|------|------|----------|-------------|--|
| 1 | 1 | TOBY | DSM-09-S | 9 WAY D SOCKET |
| 2 | 1 | TOBY | MHDPPK-09-K | 9 WAY D CONNECTOR HOOD |
| 3 | 20mm | FARNELL | 119-0781 | HEATSHRINK |
| 4 | 1.2m | FARNELL | 119-0211 | 7-2-04A CABLE - 4 WIRES - 7/32 AWG 0.2mm |
| 5 | 1 | AVERY | J8658-25 | 25.4 x 10mm LABEL + CABLE IDENT |
| 6 | 30mm | FARNELL | 304-6539 | HEATSHRINK CLEAR 6mm 3:1 |

| DRAWING NUMBER | RLCAB128 | DRAWN | S.HOOPER | SHEET | 2/4 |
|----------------|--|----------|----------|---------|-----|
| DESCRIPTION | SPEED SENSOR WITH IMU - SPEED ONLY CABLE | | | | |
| REVISION | | | | | |
| ISS | DESCRIPTION | DATE | APPROVED | REDMINE | |
| 5 | BOM CORRECTION | 06/01/20 | GC | 14508 | |

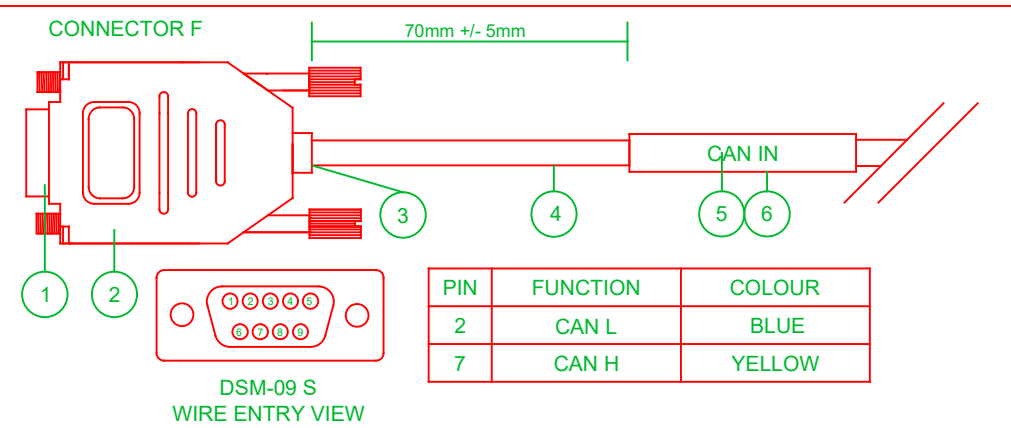


| BILL OF MATERIALS | | | | |
|-------------------|----------|----------|-------------|---------------------------------|
| ITEM | QTY | SUPPLIER | PART NUMBER | DESCRIPTION |
| 1 | 1 | RS | 641-8025 | 4mm PLUG - RED |
| 2 | 1 | RS | 641-8019 | 4mm PLUG - BLACK |
| 3 | 1.2m | RS | 359-683 | RED CABLE |
| 4 | 1.2m | RS | 359-677 | BLACK CABLE |
| 5 | 2 | AVERY | J8658-25 | 25.4 x 10mm LABEL + CABLE IDENT |
| 6 | 2 x 30mm | FARNELL | 304-6539 | HEATSHRINK CLEAR 6mm 3:1 |



| PIN | FUNCTION |
|-------------|----------------|
| COAX SCREEN | GROUND |
| COAX CORE | DIGITAL OUTPUT |

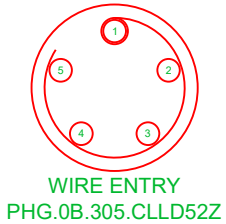
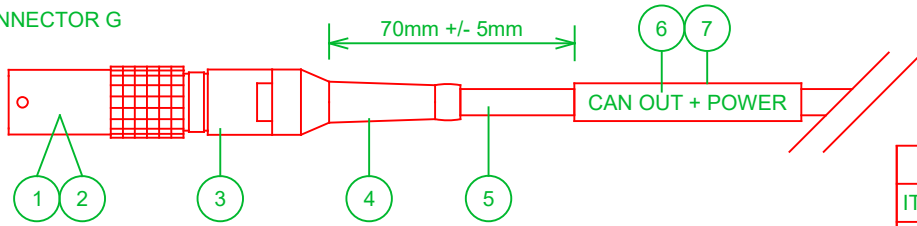
| BILL OF MATERIALS | | | | |
|-------------------|------|----------|-------------|---------------------------------|
| ITEM | QTY | SUPPLIER | PART NUMBER | DESCRIPTION |
| 1 | 1 | RS | 512-1534 | RG17 BNC PLUG STRAIGHT |
| 2 | 1.2m | RS | 521-8206 | COAX RG174AU 50R |
| 3 | 30mm | FEC | 100-8431 | 4.8mm 2:1 BLACK HEATSHRINK |
| 4 | 1 | AVERY | J8658-25 | 25.4 x 10mm LABEL + CABLE IDENT |
| 5 | 30mm | FARNELL | 304-6539 | HEATSHRINK CLEAR 6mm 3:1 |



| BILL OF MATERIALS | | | | |
|-------------------|------|----------|-------------|--|
| ITEM | QTY | SUPPLIER | PART NUMBER | DESCRIPTION |
| 1 | 1 | TOBY | DSM-09-S | 9 WAY D SOCKET |
| 2 | 1 | TOBY | MHDPPK-09-K | 9 WAY D CONNECTOR HOOD |
| 3 | 20mm | FARNELL | 119-0781 | HEATSHRINK |
| 4 | 1.2m | FARNELL | 119-0211 | 7-2-04A CABLE - 4 WIRES - 7/32 AWG 0.2mm |
| 5 | 1 | AVERY | J8658-25 | 25.4 x 10mm LABEL + CABLE IDENT |
| 6 | 30mm | FARNELL | 304-6539 | HEATSHRINK CLEAR 6mm 3:1 |

| | | | | | |
|----------------|--|----------|----------|---------|-----|
| DRAWING NUMBER | RLCAB128 | DRAWN | S.HOOPER | SHEET | 3/4 |
| DESCRIPTION | SPEED SENSOR WITH IMU - SPEED ONLY CABLE | | | | |
| REVISION | | | | | |
| ISS | DESCRIPTION | DATE | APPROVED | REDMINE | |
| 5 | BOM CORRECTION | 06/01/20 | GC | 14508 | |

CONNECTOR G



| PIN | FUNCTION | COLOUR |
|-------|-----------|--------|
| 3 | CAN H | YELLOW |
| 4 | CAN L | BLUE |
| 5 | POWER OUT | RED |
| SHELL | POWER GND | GREEN |

BILL OF MATERIALS

| ITEM | QTY | SUPPLIER | PART NUMBER | DESCRIPTION |
|------|------|----------|--------------------|--|
| 1 | 1 | LEMO | PHG.0B.305.CLLD52Z | LEMO 5-WAY CABLE-MOUNT SOCKET |
| 2 | A/R | FARNELL | 119-1021 | HEATSHRINK 1.5/0.5 |
| 3 | 10mm | FARNELL | 100-8431 | HEATSHRINK 2:1 BK 4.8mm |
| 4 | 1 | LEMO | GMA.0B.035.DA | LEMO STRAIN RELIEF BLUE |
| 5 | 1.2m | FARNELL | 119-0211 | 7-2-04A CABLE - 4 WIRES - 7/32 AWG 0.2mm |
| 6 | 1 | AVERY | J8658-25 | 25.4 x 10mm LABEL + CABLE IDENT |
| 7 | 30mm | FARNELL | 304-6539 | HEATSHRINK CLEAR 6mm 3:1 |

CONNECTOR WIRING

| DEUTSCH 23 WAY | FUNCTION | COLOUR | FUNCTIONAL GROUP | CABLE CONNECTOR TYPE |
|----------------|--------------|--------|------------------|-----------------------|
| PIN | | | | |
| 6 | POWER | RED | POWER IN | 4mm BANANA PLUG RED |
| 5 | POWER RETURN | BLACK | | 4mm BANANA PLUG BLACK |
| 2 | DIG OUT GND | SCREEN | DIGITAL OUTPUT | BNC |
| 1 | DIG OUT | CORE | | |
| 12 | CAN H | YELLOW | CAN IN | 9 WAY D-TYPE SOCKET |
| 11 | CAN L | BLUE | | |
| 10 | CAN OUT H | YELLOW | CAN OUT + POWER | 5 WAY LEMO SOCKET |
| 9 | CAN OUT L | BLUE | | |
| 7 | POWER OUT | RED | | |
| 8 | POWER GND | GREEN | | |
| 22 | Tx (From SS) | YELLOW | CONFIG (RS232) | 9 WAY D-TYPE SOCKET |
| 21 | Rx (To SS) | GREEN | | |
| 15 | CONFIG GND | BLUE | | |

| | | | | | |
|----------------|--|----------|----------|---------|-----|
| DRAWING NUMBER | RLCAB128 | DRAWN | S.HOOPER | SHEET | 4/4 |
| DESCRIPTION | SPEED SENSOR WITH IMU - SPEED ONLY CABLE | | | | |
| REVISION | | | | | |
| ISS | DESCRIPTION | DATE | APPROVED | REDMINE | |
| 5 | BOM CORRECTION | 06/01/20 | GC | 14508 | |